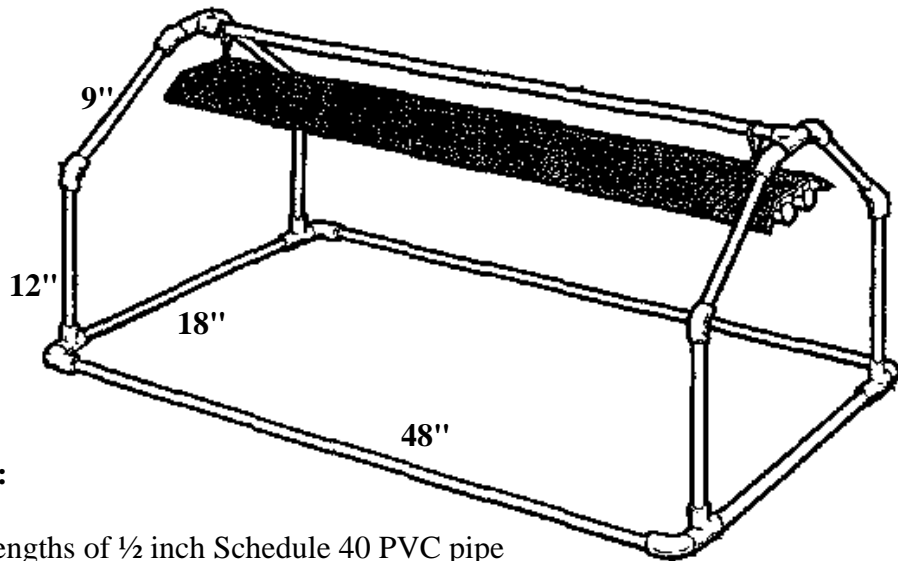


# PORTABLE PVC LIGHT STAND

Walter Reeves    The Georgia Gardener(tm)    www.walterreeves.com



## Materials:

3 - 10 ft. lengths of ½ inch Schedule 40 PVC pipe  
6 - ½ inch PVC tees  
8 - ½ inch PVC 45° elbows  
4 - ½ inch PVC 90° elbows  
PVC glue

## Tools:

PVC pipe cutter    OR    miterbox and hacksaw

## Procedure:

1. Cut PVC into the following lengths:

3 - 48"  
2 - 18"  
4 - 12"  
4 - 9"  
8 - 1"

2. Dry-assemble one end frame, referring to the drawing above. Use the 1" pipe pieces to join fittings that are closely adjacent.

3. Working slowly, use the PVC glue to permanently join fittings to pipe pieces.

4. Repeat #2 and #3 to assemble the other end frame.

5. Join the two frames with the three 48" pipe pieces. You may choose to glue these joints or to use rubber cords stretched from frame to frame to hold the assembly together. If the joints are unglued, the light stand can be more easily stored during summer.

6. Hang a four-foot, two-tube, fluorescent shop light on chains from the top pipe to illuminate your houseplants. One cool-white tube and one warm-white tube will provide the proper light for plant growth.